

GLE9-25	25	120											5	
		440	25	25	22	11	22	11	15	7.5	6.5	3	5	
		240											8	1.5
GLE9-32	32	120											9	
		440	32	32	30	15	30	15	22	11	11	5.5	6	
		240											14	11
GLE9-75	75	120											25	
		440	75	75	72	30	72	30	32	24	23	11.5		
GLE9-125	125	120											60	
Operating cycle	Racing	8500										Long-life electrical (time)		
	Racing	1500										20*10 ⁴	6*10 ⁴	
	Racing	1000										Mechanical life		
												60*10 ⁴		

Classification

6.1 According to the purposes has circuit using switch directly control motor, and the Lord with switch to control and measurement with switch.

6.2 According to the operation mode has , since the complex type localization and orientation of the complex type,

6.3 According to the contact system positioning type switch 1-12, since the complex type switch 1-13, direct control motor using switch mainly has 1-6.

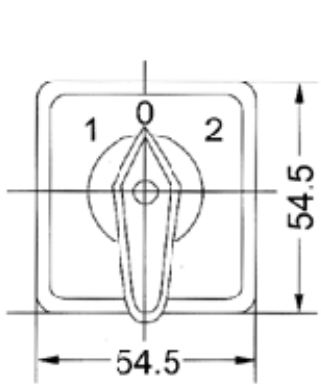
6.4 According to the Angle of transformation has 45. 90, etc

6.5 According to the panel has shaped square panel, small panels and two large panel.

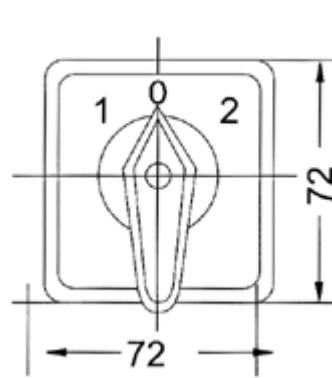
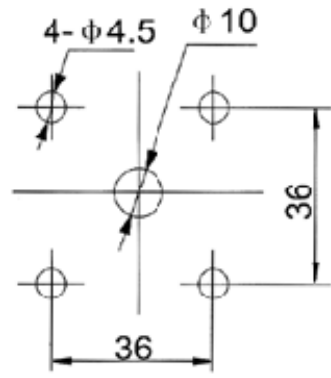
6.6 According to the operation mode and record function.with the combination of position as shown:

Operating mode	特征代号	Fuck the actuator position												
Since the complex type	A						0°	45°						
	B					45°	0°	45°						
Positioning	C						0°	45°						
	D					45°	0°	45°						
	E					45°	0°	45°	90°					
	F				90°	45°	0°	45°	90°					
	G				90°	45°	0°	45°	90°					
	H			135°	90°	45°	0°	45°	90°	135°				
	I			135°	90°	45°	0°	45°	90°	135°	180°			
	J		120°	90°	60°	30°	0°	30°	60°	90°	120°			
	K		120°	90°	60°	30°	0°	30°	60°	90°	120°	150°		
	L	150°	120°	90°	60°	30°	0°	30°	60°	90°	120°	150°		
	M	150°	120°	90°	60°	30°	0°	30°	60°	90°	120°	150°	180°	
	N						45°		45°					
	P							0°	90°					
							90°	0°						
R						90°	0°	90°						
Z						45°	0°	45°						
						90°	0°	45°						
					90°	45°	0°	45°	90°					
Orientation brought from devices	ZL					135°	90°	0°	45°					
						45°	0°	45°	90°					
						90°	45°	0°	45°					
						90°	45°	0°	45°	90°				

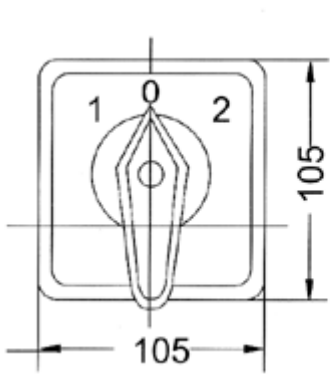
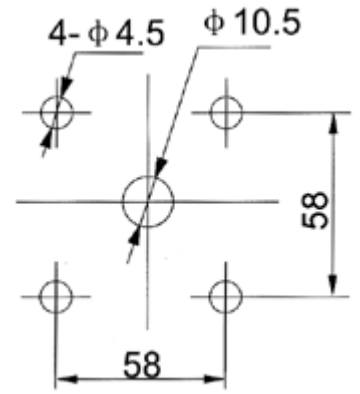
Install size and shape



GLE9-20A Small panels



GLE9-(20-25) A



GLE9-(32-75) A

